



GS17

Product Specification

Contents

1. product profile and appearance.....	3
Appearance of products.....	3
Product interface definition.....	4
2 Description of Product Parameters and Functions.....	5
Product Machine Parameters.....	5
Functional Table of Product.....	6
LED light work instructions.....	7
3 Product installation instructions.....	8
Installation steps.....	8
(1) Inspection of equipment.....	8
(2) Installation of SIM cards.....	8
(3) Selection of terminal installation location requirements	8
Remote SMS Online Settings.....	错误！未定义书签。
4 Common troubleshooting	9
5 Terminal after-sale warranty	错误！未定义书签。

1. Product Overview and Appearance

Product Overview

Product Name: GS17

Product Type: OBD

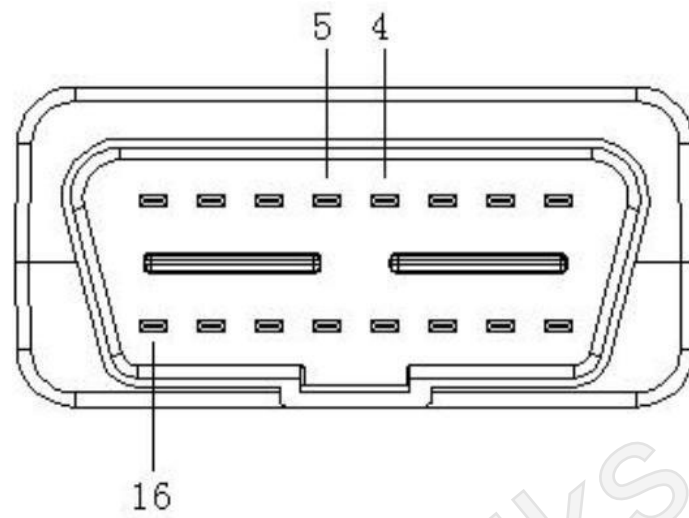
Product Specification :45(L) x 39(W) x 22(H) mm

Appearance of products



Physical map

Product interface definition



Interface definition table

Foot position	Interface definition
4	Ground
5	Ground
16	Power supply

2 Description of Product Parameters and Functions

Product Machine Parameters

No.	Project	Specification parameters	Remarks
1	Operating voltage	9-36V DC	
2	Operating current	25mA 12V (static current 10 mA)	
3	Size	45(L) x 39(W) x 22(H) mm	
4	Product Weight	32g	
5	Location mode	GPS and LBS positioning	
6	Location error	GPS location error <10 m(This data is for reference. The positioning error is related to the terrain and time of the area where the vehicle is located.) The positioning error of the base station is based on the density of the base station in the interval	This data is measured in our laboratory
7	Communication network/mode	GPRS TCP/IP	
8	Operating temperature range	-25°C ~ +75°C	

9	Storage temperature range	-40°C~ +85°C	
10	Built-in battery working time	0.5 hours	50mAh

Functional Table of Product

Functional block	Function Details	Functional Description
Tracking location	Real-time Location Upload	Set the interval time, the default motion mode 30 s to report a location data, net value mode 300 s to report a location data
Vehicle status detection	Warning on vehicle shutdown	After the main engine detects that the vehicle voltage is low to a certain value (less than 5 V), Will report a power - down alert
Mileage statistics	Statistics on mileage	If the platform display mileage and car odometer is not uniform, the platform can edit the terminal initial mileage, and car mileage synchronization
Alarm function	Multiple alarm modes	Power off alarm, backup battery low power alarm, vibration alarm, electronic fence,

		displacement alarm, overspeed alarm, anti-counterfeiting base station alarm
EPO Auxiliary Positioning	Auxiliary positioning	Terminal support EPO auxiliary positioning function, enhance positioning effect
Replacement of inflection points	Track optimization	When the direction angle of the equipment changes more than a certain angle, immediately upload a position data, optimize the trajectory
Static mode	Low Power	3D three-axis acceleration sensor real-time sensing vehicle vibration state, power-up for the motion mode, when the host is still for 5 minutes after the static mode, turn off the GPS module, into the motion mode

LED light work instructions

yellow light (GPS signal)	Meaning
Fast Flash	GPS signal search
Long bright	GPS signal reception is normal
Not bright	No GSM signal found or sleep
A red light (GSM signal)	Meaning
Fast Flash	GSM initialization
Slow flash	GPS signal reception is normal

Long bright	GPRS online
Not bright	No GSM signal found or sleep

3 Product installation instructions

Installation steps

(1) Inspection of equipment

Check whether the appearance of the equipment is good, and whether the relevant accessories are complete.

(2) Installation of SIM cards

open the device SIM card into the cat. please avoid excessive force damage, please ensure that the SIM card has the function of internet access, only meet the power on and insert SIM card terminal can work properly.

(3) Location of installation

Put the equipment directly into the vehicle OBD interface, generally speaking, the OBD interface is located under the main driving of the central control, some models will be in the decoration board, the OBD interface is a trapezoidal joint with 16 pin jacks, because of the special shape, very easy to identify, insert the ODB vehicle positioning terminal into the OBD interface, check whether it is firm, the positioning indicator lights flashing normally, that is, for successful installation

4 Common troubleshooting

FAQ	Fault Description	Solutions
Bad signal reception	The use of terminals, such as high-rise buildings or basements, are not acceptable, can not be effectively communicated	Use the terminal in a location with good signal
Unable to connect network	SIM card not loaded	Check SIM cards
	Dirt on the metal surface of the SIM card	Wipe with clean cloth
	Beyond GSM Service Area	Please move to Network Service Provider Service Area
	Weak signal	Please move to where the signal is strong and try again
Location information not available	SIM card not open GPRS function	Contact network service provider for GPRS function
	Always reply "Failed to get location"	Please contact your dealer